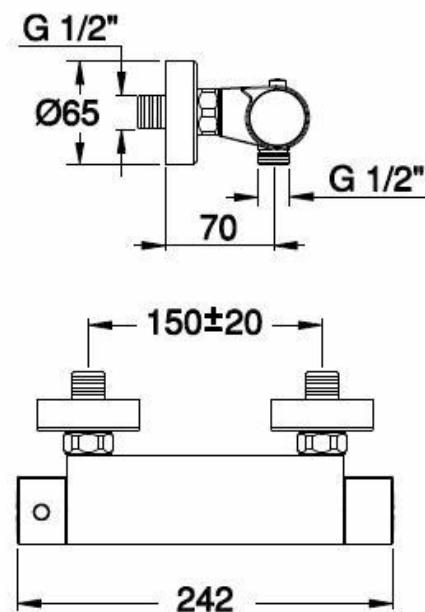


WALL MOUNTED THERMOSTATIC MIXER "Safety touch"
FT00016MET
SPECIAL FEATURES

- ½" water inlets, wheelbase mm 150
- SAFETY TOUCH mixer: the surface does not overheat
- The temperature stroke limiter button to 38° can be manually switched off
- The non-burn safety device is immediate and safety in case of pressure decreases or interruption of the cold water supply.
- Stability and precision of the set temperature
- Reliability of the thermostatic element with reduced lime scale adherence
- Opening/closing with a ceramic headwork 90°
- Chrome thickness (in compliance with UNI EN 248)

WASTE
ACCESSORIES REQUIRED
PICTURE
TECHNICAL DRAWING


Operating conditions

- Minimum working pressure 0,5 Bar
- Maximum working pressure 5 Bar
- Recommended working pressure 3 Bar
- COLD water minimum working temperature 3° recommended 15°
- HOT water maximum working temperature 80° recommended 65°
- Pressure difference between hot and cold water (0,5 - 1,0 Bar)
- The thermostats are calibrated by the manufacturer with flow pressure of 3 Bar for both incoming waters and temperatures of 10/15° (Cold), 60/65° (Hot)
- The incoming hot water temperature must be at least 10° higher than the maximum outgoing temperature desired
- Safety cut-off 38° C
- Safety system with delivery cut-off, in case of no cold water supply
- It is advisable to install a pressure reducing valve in case the pressure inside the ducts exceeds 5 Bar
- Remark: respect the parameters above mentioned; on the contrary the product could have some malfunctioning

General installation information

- In order for your mixer to work correctly over the time it's necessary cleaning the feed pipes from any treating impurities (Teflon, metal chips, hemp, etc) before installing the product.
- Install strainer upstream; don't remove the filter fitted with the product.

Cleaning

- Use only water and neutral soap detergents to clean the mixer and dry it with sponge or soft cloth
- Never use alcohol solvents and solid or liquid substances or acids (acid chloridric), abrasive sponges, cloth with synthetic fibres, metallic sponge that could damage the chrome surfaces

Guarantee

- All the items commercialised by Frisone Srl are covered by "conventional guarantee" as indicated in the actual price list

Frisone Srl has the right to bring any change of shape, dimension and material on its own products.